



The HPR Series offers performers the power, technology and legendary reliability of QSC amplification combined with the simplicity and convenience of powered loudspeaker systems. Whether your application is vocal reinforcement, dance music or full-tilt rock and roll sound, there's an HPR speaker system for you.

Every HPR model is built around a high-power, reliable QSC power module using the same top-quality components and design standards as QSC rack-mount amplifiers. Thick aluminum heat sink extrusions with deep fins provide mechanical strength and plenty of surface area to keep the module running cool. While many powered speaker amplifier modules use low-cost "chip amps", the HPR series features discrete component designs that deliver the best possible performance even when pushed to the limit. The power modules incorporate sophisticated signal processing functions carefully tailored to the loudspeaker system. Each amplifier channel includes its own limiting with the parameters individually optimized for the frequency band.

All HPR models are constructed of 13-ply birch. The speaker components are protected by a heavy 16 gauge perforated steel grille with a distinctive and professional appearance. A grille-mounted power LED may be disabled by means of a rear-panel switch when desired.

The bi-amplified 15" 2-way HPR152F is a versatile speaker that is at home in nearly any sound reinforcement setting. A high-power low-frequency driver with a 3" voice-coil provides extension down to 48 Hz. The 1.75" (diaphragm) compression driver on a 90° x 60° horn delivers smooth high-frequencies up to 20 kHz. The power module includes a 100 Hz high-pass filter (HPF) for use in subwoofer equipped systems.

The HPR153F 3-way loudspeaker is a great choice when the warmth, clarity and projection of a horn-loaded midrange design is desired. The 15" low-frequency driver provides extension down to 37 Hz while the 6" mid-range driver seamlessly handles the critical vocal region. A 1.4" (diaphragm) compression driver delivers brilliant top end response.



HPR Series

For high-level dance music or reinforcement of bass instruments and kick drum, an HPR series subwoofer will add low-frequency extension and power to any sound system. Both HPR subwoofers use a 700 watt QSC amplifier. Flexible input signal processing and connectivity allow the subwoofers to be used in systems consisting of a single sub and two tops or larger systems employing multiple subwoofers. The signal processing complement includes a stereo electronic crossover with XLR line-level outputs for connection to any powered two or three-way mid/high speaker.

When the requirement is for compact size and tight, punchy low-end, the single 15" HPR151W subwoofer is the answer. The HPR151W is capable of producing 133 dB peak SPL with frequency response down to 43 Hz and sound quality that rivals many 18" subwoofers. A top-mounted 35mm pole socket is provided.

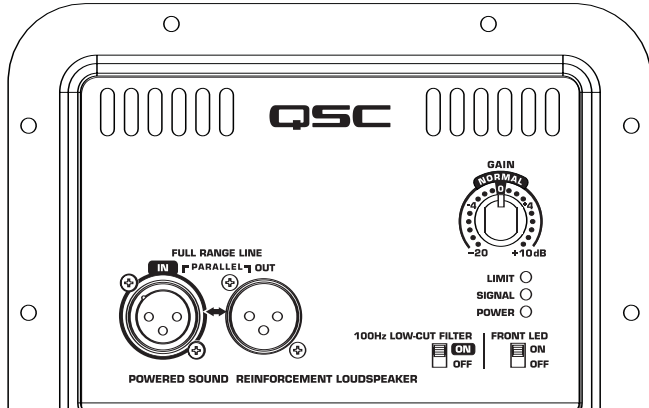
The HPR181W single 18" subwoofer offers truly impressive low frequency extension and output. The 4" voice-coil driver produces 134 dB SPL peak, at 1 meter with frequency response down to 39 Hz. The HPR181W also includes a top-mounted 35mm pole socket and heavy-duty 3" casters to facilitate load-in and load-out.

Key Features

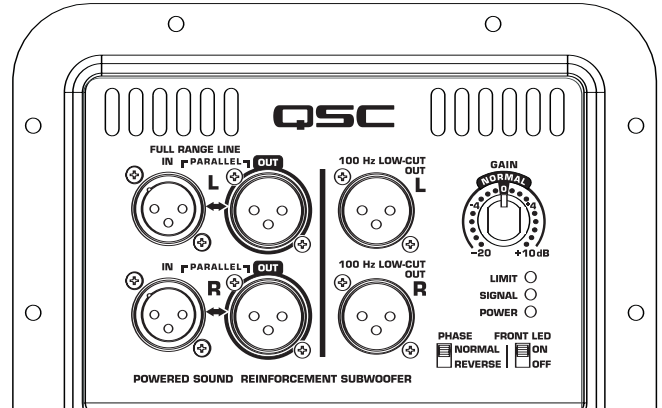
- The only portable powered speakers with legendary QSC amplifier power and reliability
- Amplifiers use discrete component designs (no "chip-amps")
- High continuous power: Subwoofers – 700 watts, full-range models up to 600 watts total amplifier power
- Attractive and professional appearance
- Rugged 13-ply birch enclosures
- Tour-grade 16 gauge steel grilles
- Ergonomic handles with comfortable, non-slip grip
- Pole sockets accommodate 35mm
- Subwoofer models include stereo crossover with outputs for powered satellite speakers

HPR Series Control Panels and Block Diagrams

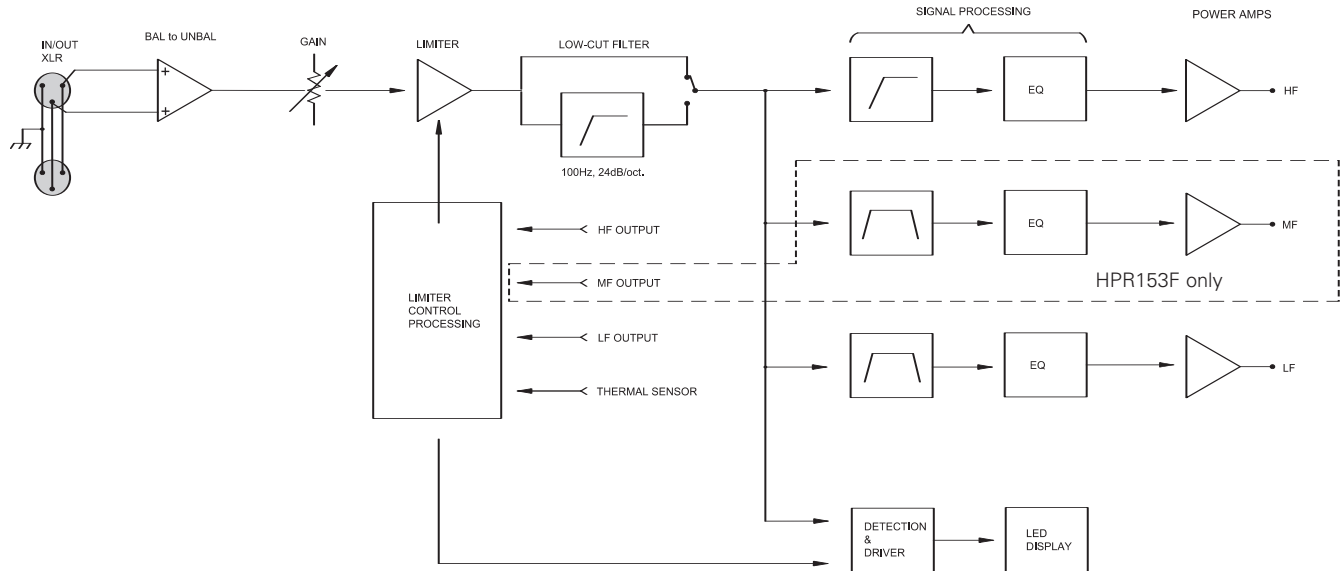
HPR152F & HPR153F



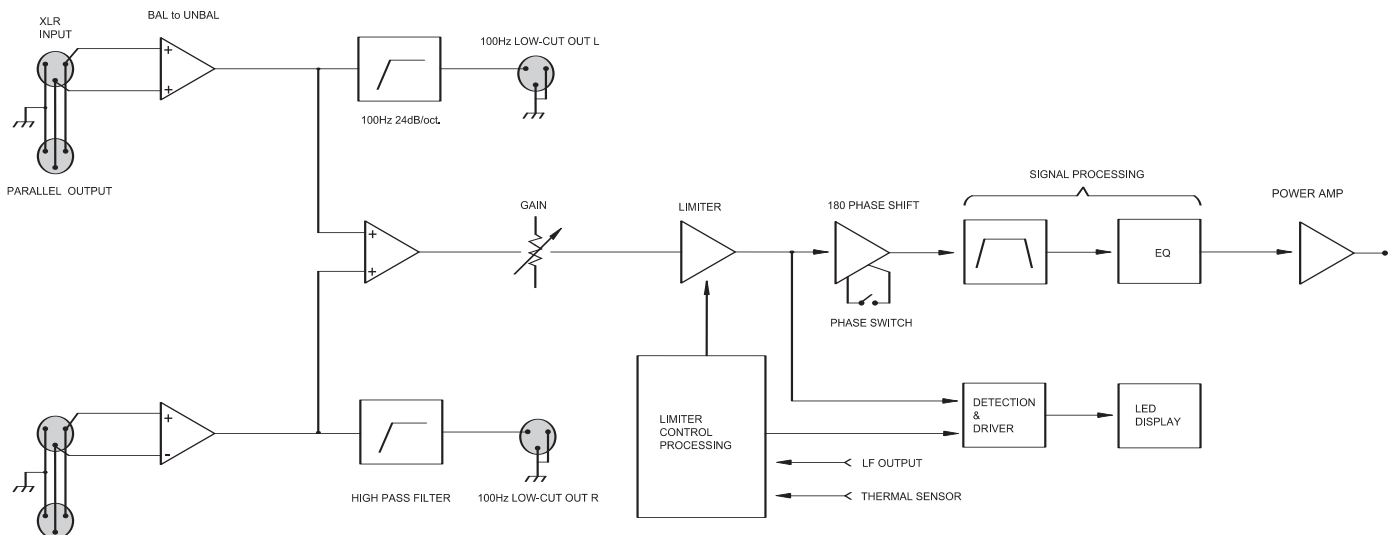
HPR151W & HPR181W



HPR152F & HPR153F

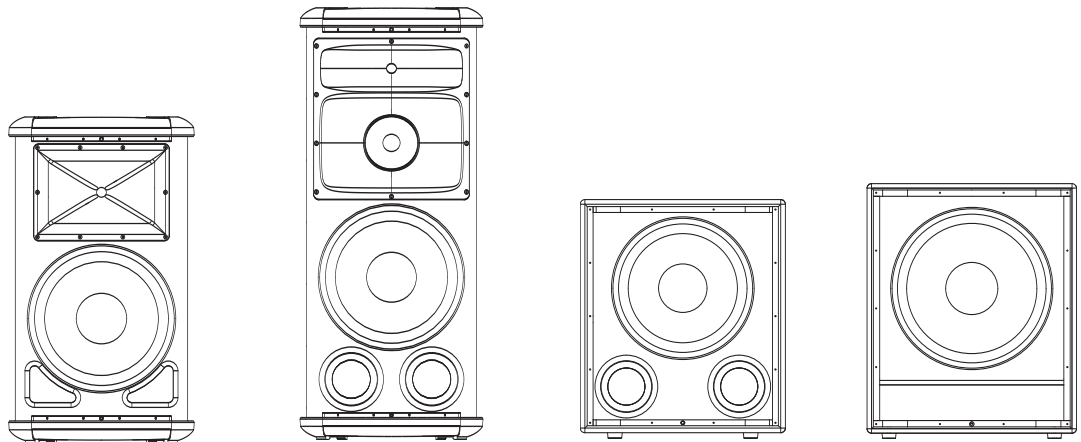


HPR151W & HPR181W



HPR Series

HPR152F, HPR153F, HPR151W, HPR181W Specifications



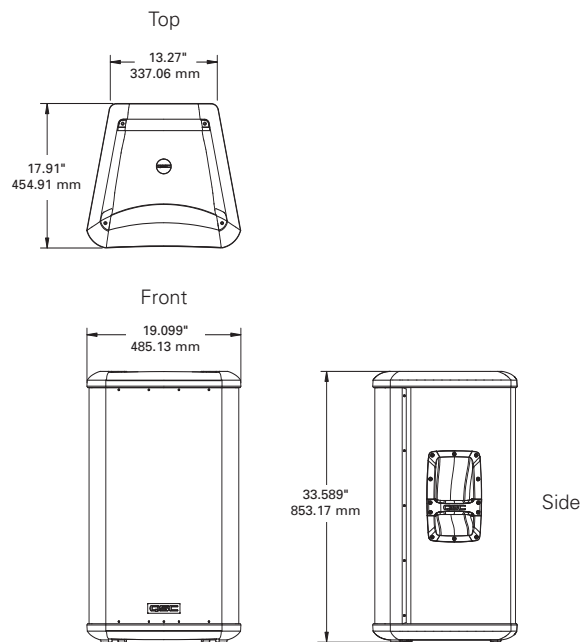
	HPR152F	HPR153F	HPR151W	HPR181W
Configuration	15" 2-way 15" cone transducer with 3" voice coil 1.75" diaphragm compression driver	15" 3-way 15" cone transducer with 3" voice coil 6.5" horn loaded mid-range 1.4" diaphragm compression driver	15" subwoofer 15" cone transducer with 3" voice coil	18" subwoofer 18" cone transducer with 4" voice coil
Frequency response (-6 dB)	53 Hz – 18 kHz	42 Hz – 19 kHz	47 Hz – 110 Hz	42 Hz – 110 Hz
Frequency range (-10 dB limit)	50 Hz – 20 kHz	38 Hz – 20 kHz	43 Hz – 140 Hz	39 Hz – 140 Hz
Nominal coverage, -6 dB	90° x 60°	90° x 40°	N/A	N/A
Maximum SPL (1 meter)	135 dB peak	133 dB peak	133 dB peak	134 dB peak
Amplifiers				
Power output	400W LF Class H 100W HF Class AB+B	400W LF Class H 100W MF Class AB+B 100W HF Class AB+B	700W Class H	700W Class H
Input impedance	22kΩ balanced/11kΩ unbalanced	22kΩ balanced/11kΩ unbalanced	22kΩ balanced/11kΩ unbalanced	22kΩ balanced/11kΩ unbalanced
Controls	Gain Low-cut filter Front LED On/Off Power Circuit breaker	Gain Low-cut filter Front LED On/Off Power Circuit breaker	Gain Low-cut filter Front LED On/Off Power Circuit breaker Phase	Gain Low-cut filter Front LED On/Off Power Circuit breaker Phase
Indicators	Power Signal Limit	Power Signal Limit	Power Signal Limit	Power Signal Limit
Cooling	Convection	Convection	Convection	Convection
Amplifier protection	Thermal and output Power limiting	Thermal and output Power limiting	Thermal and output Power limiting	Thermal and output Power limiting
Current consumption at 120 VAC (1/8 power EIA noise)	1.5A	1.8A	2.2A	2.5A
Enclosure	Painted Birch plywood	Painted Birch plywood	Painted Birch plywood	Painted Birch plywood
Finish	Black textured paint	Black textured paint	Black textured paint	Black textured paint
Grille	Powder coated 16 gauge steel	Powder coated 16 gauge steel	Powder coated 16 gauge steel	Powder coated 16 gauge steel
Connectors	Balanced female XLR line level input Balanced male XLR full range line level out	Balanced female XLR line level input Balanced male XLR full range line level out	Balanced female XLR line level inputs x 2 (L+R) Balanced male XLR full range line level outputs x 2 (L+R) Male XLR low-cut line level outputs x 2 (L+R)	Balanced female XLR line level inputs x 2 (L+R) Balanced male XLR full range line level outputs x 2 (L+R) Male XLR low-cut line level outputs x 2 (L+R)
Dimensions	19" W x 32" H x 18" D (485mm x 813mm x 455mm)	19" W x 44.75" H x 18" D (485mm x 1137mm x 455mm)	22" W x 25" H x 20.75" D (559mm x 635mm x 525mm)	23.5" W x 28" H x 23" D (594mm x 711mm x 582mm)
Net weight	100 lbs. / 45.5 kg	118 lbs. / 54 kg	98 lbs. / 44.5 kg	127 lbs. / 58 kg
Available accessories	HPR COVER 152F HPR POLE 26	HPR COVER 153F	HPR COVER 151W HPR POLE 26	HPR COVER 151W HPR POLE 26

[1] Measured in half-space.

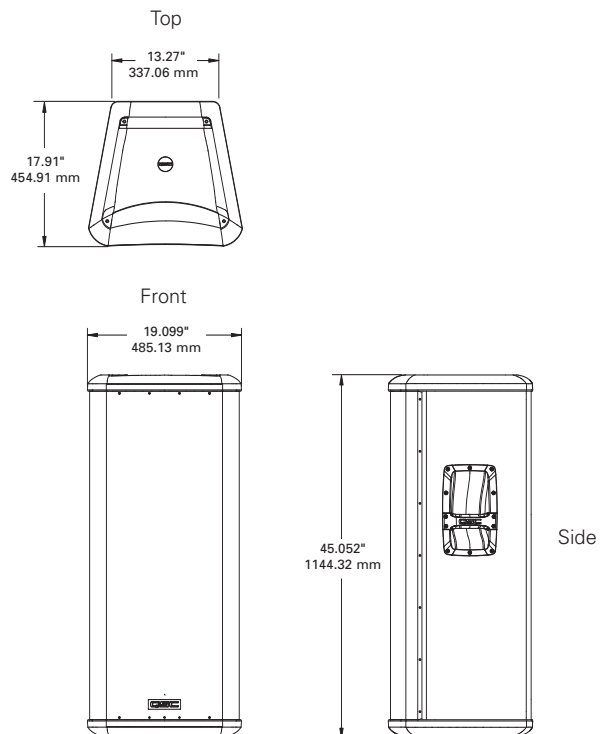
Specifications subject to change without notice.

HPR Series Enclosure Dimensions

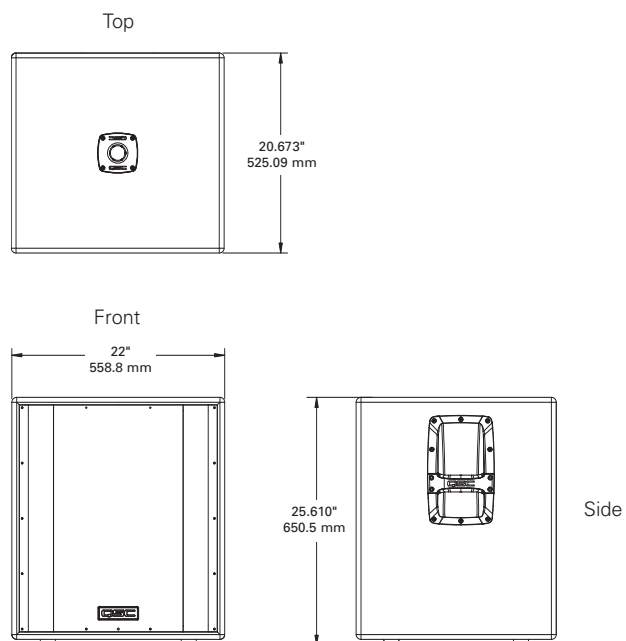
HPR152F



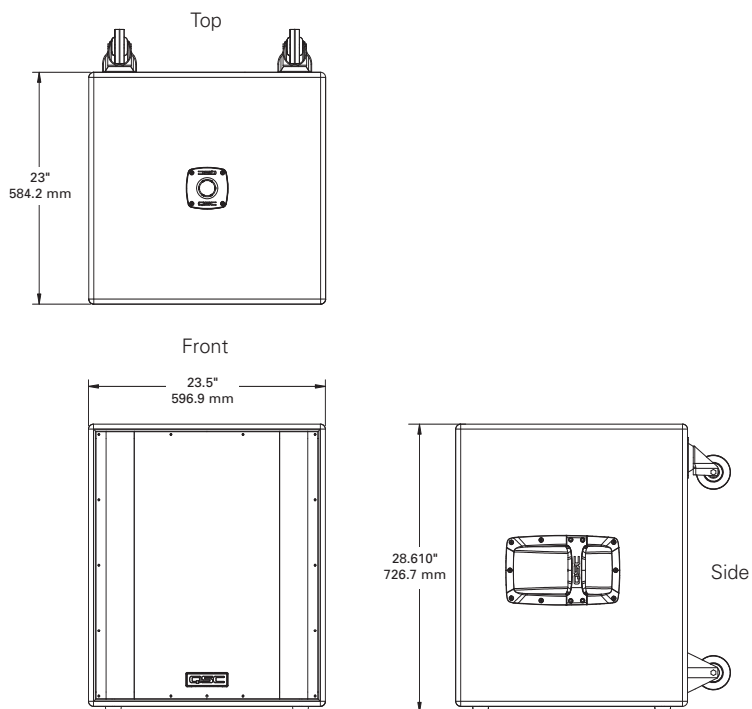
HPR153F



HPR151W



HPR181W



Specifications subject to change without notice.